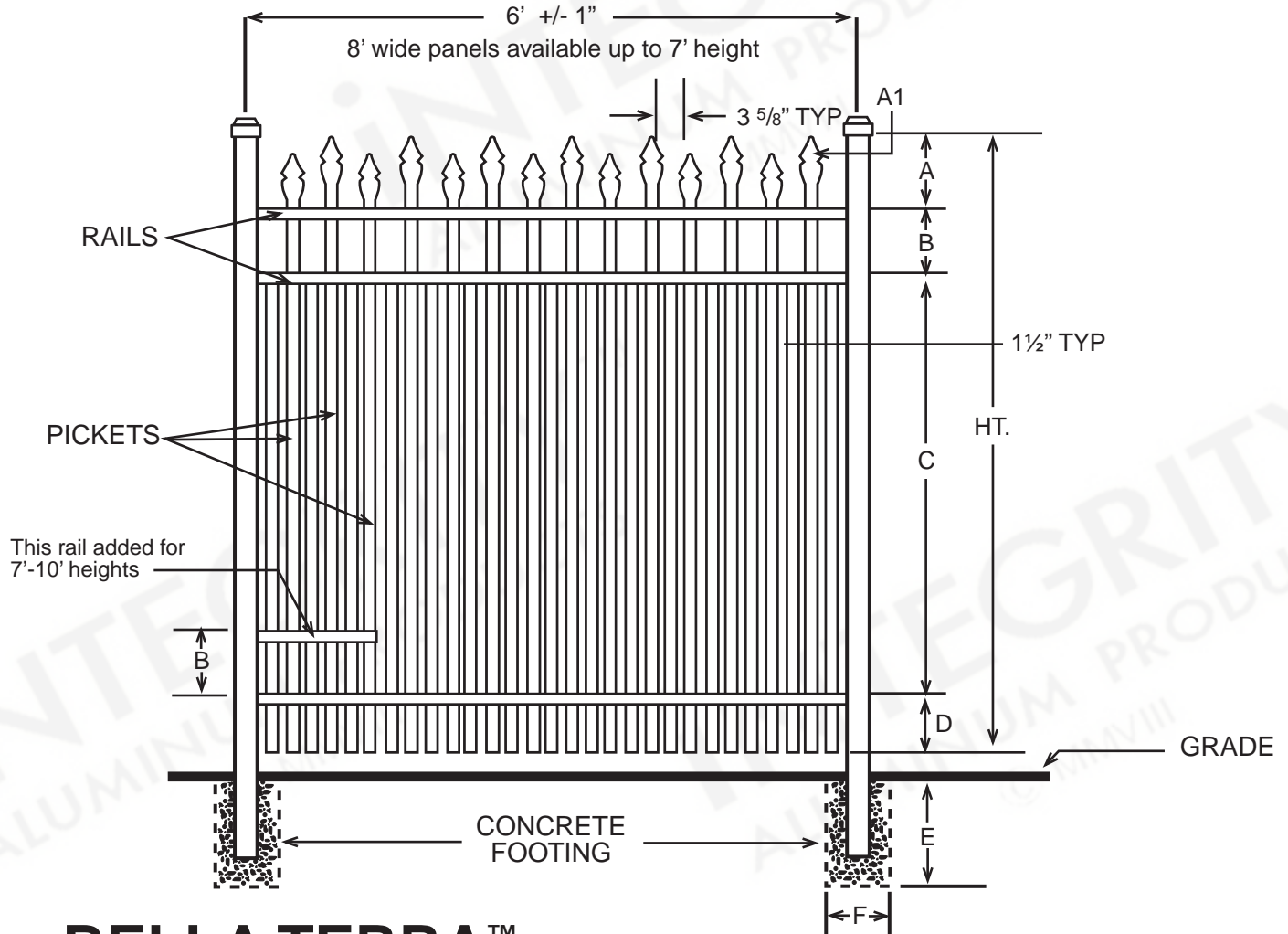


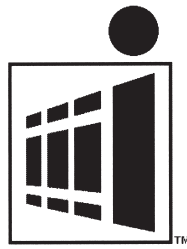
INTEGRITYTM
ALUMINUM PRODUCTS
800.762.8876



BELLA TERRATM
ULTIMATE EXTREME

DIMENSIONS							
HT	A	A1	B	C	D	E	F
3'	6 ⁵ / ₈ "	1 ¹ / ₂ "	7 ⁵ / ₈ "	14 ³ / ₄ "	7"	Per Local Code	
4'	6 ⁵ / ₈ "	1 ¹ / ₂ "	7 ⁵ / ₈ "	26 ³ / ₄ "	7"	Per Local Code	
5'	6 ⁵ / ₈ "	1 ¹ / ₂ "	7 ⁵ / ₈ "	38 ³ / ₄ "	7"	Per Local Code	
6'	6 ⁵ / ₈ "	1 ¹ / ₂ "	7 ⁵ / ₈ "	50 ³ / ₄ "	7"	Per Local Code	
7'	9 ⁵ / ₈ "	2 ¹ / ₂ "	10 ⁵ / ₈ "	53 ³ / ₄ "	10"	Per Local Code	
8'	9 ⁵ / ₈ "	2 ¹ / ₂ "	10 ⁵ / ₈ "	65 ³ / ₄ "	10"	Per Local Code	
9'	12 ⁵ / ₈ "	3"	13 ⁵ / ₈ "	68 ³ / ₄ "	13"	Per Local Code	
10'	12 ⁵ / ₈ "	3"	13 ⁵ / ₈ "	80 ³ / ₄ "	13"	Per Local Code	
All Dimensions Are Nominal							

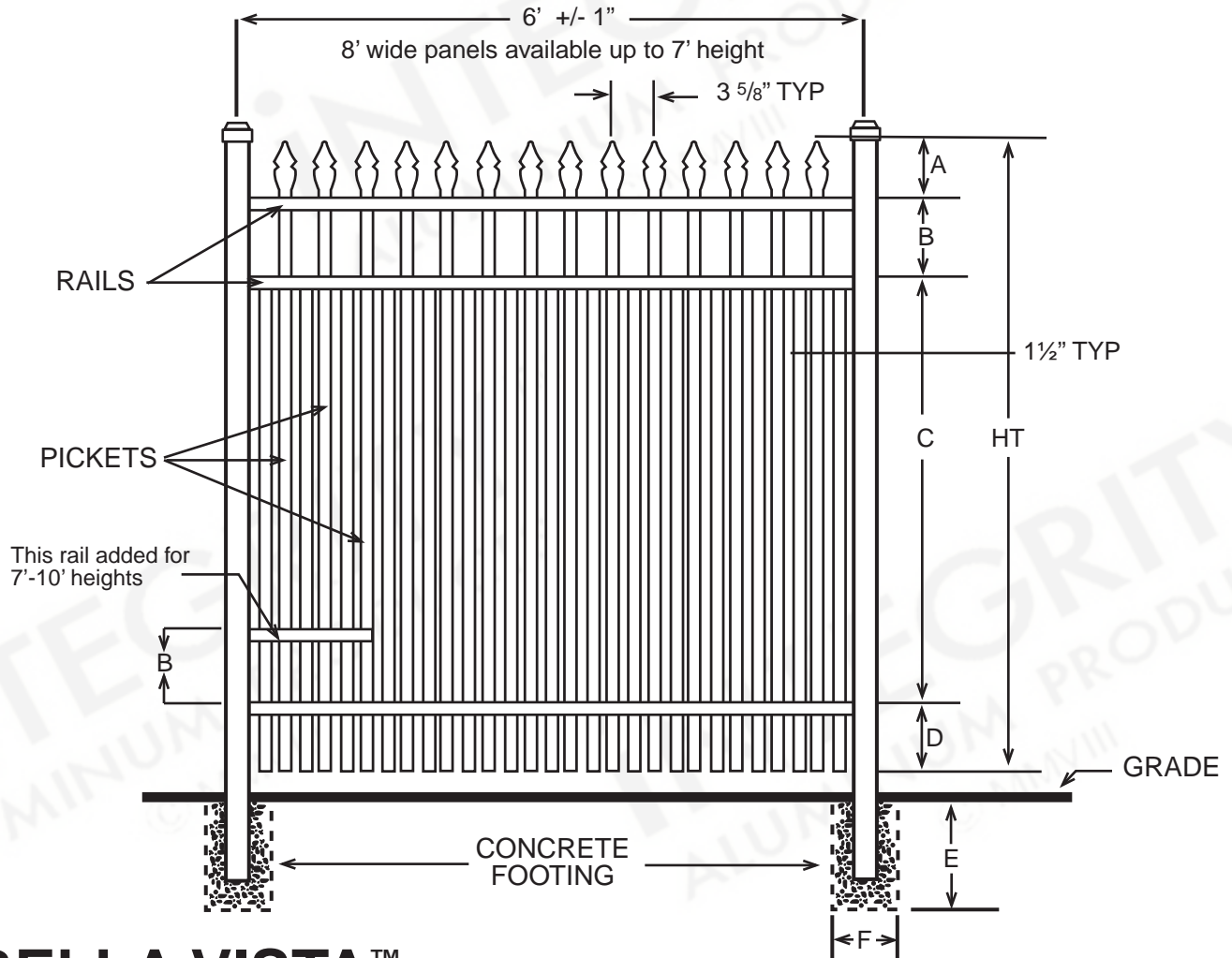
SPECIFICATIONS COMMERCIAL ULTIMATE	
Posts Available	2 ¹ / ₂ " x 2 ¹ / ₂ " x .100 Wall 3" x 3" x .125 Wall 4" x 4" x .125 Wall
Horizontal Rails Side Walls Top Walls	1 ⁵ / ₈ " x 1 ⁵ / ₈ " .100" .070"
Pickets Picket Spacing	1" x 1" x .062 Wall 1 ¹ / ₂ "
Heights Available	3, 4, 5, 6, 7, 8, 9, & 10 Ft.
Widths Available	6 & 8 Ft.



INTEGRITY™

ALUMINUM PRODUCTS

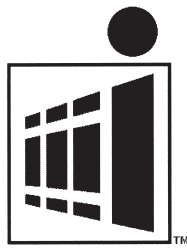
800.762.8876



BELLA VISTA™ ULTIMATE EXTREME

DIMENSIONS						
HT	A	B	C	D	E	F
3'	6 ⁵ / ₈ "	7 ⁵ / ₈ "	14 ³ / ₄ "	7"	Per Local Code	
4'	6 ⁵ / ₈ "	7 ⁵ / ₈ "	26 ³ / ₄ "	7"	Per Local Code	
5'	6 ⁵ / ₈ "	7 ⁵ / ₈ "	38 ³ / ₄ "	7"	Per Local Code	
6'	6 ⁵ / ₈ "	7 ⁵ / ₈ "	50 ³ / ₄ "	7"	Per Local Code	
7'	9 ⁵ / ₈ "	10 ⁵ / ₈ "	53 ³ / ₄ "	10"	Per Local Code	
8'	9 ⁵ / ₈ "	10 ⁵ / ₈ "	65 ³ / ₄ "	10"	Per Local Code	
9'	12 ⁵ / ₈ "	13 ⁵ / ₈ "	68 ³ / ₄ "	13"	Per Local Code	
10'	12 ⁵ / ₈ "	13 ⁵ / ₈ "	80 ³ / ₄ "	13"	Per Local Code	
All Dimensions Are Nominal						

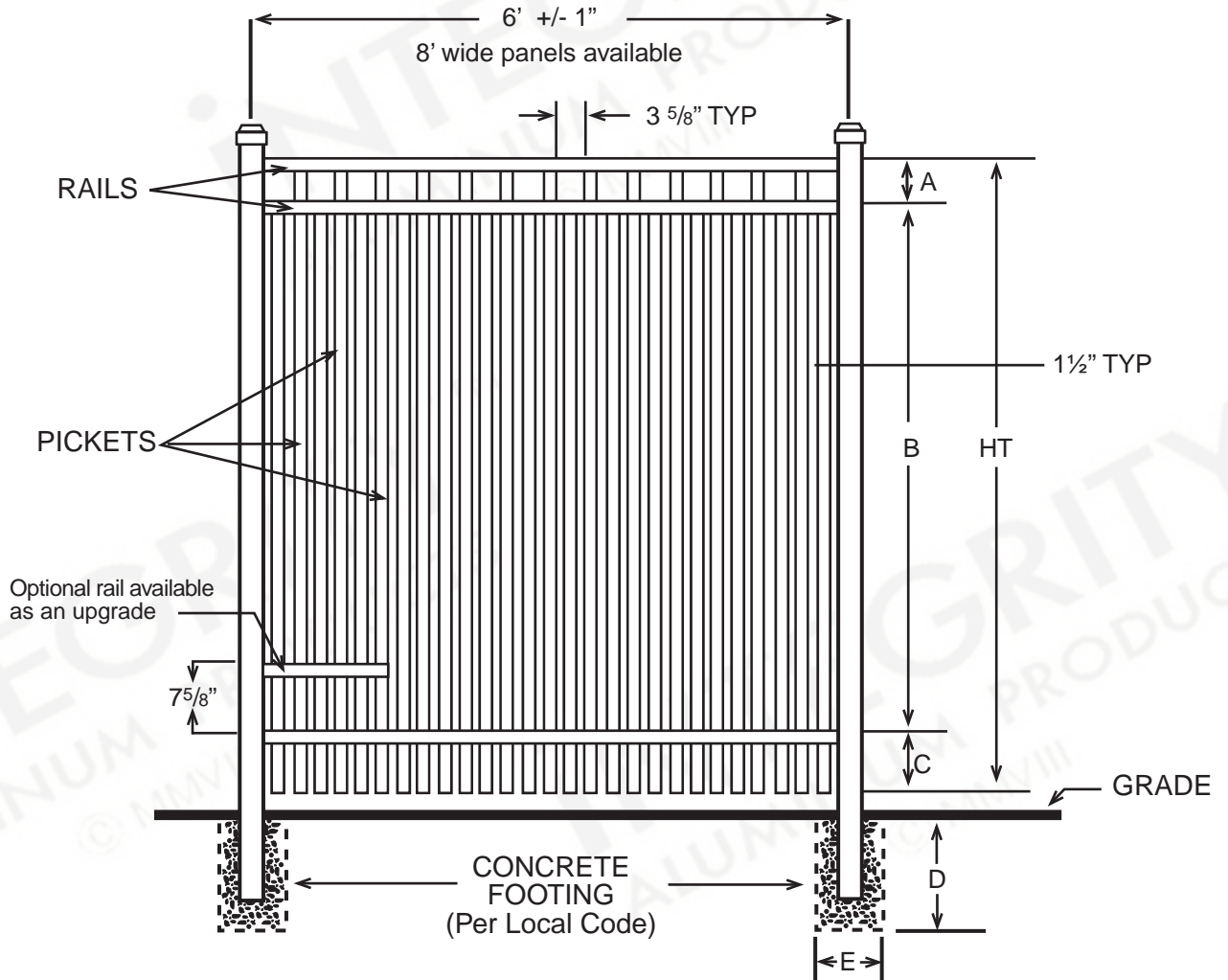
SPECIFICATIONS COMMERCIAL ULTIMATE	
Posts Available	2 ¹ / ₂ " x 2 ¹ / ₂ " x .100 Wall 3" x 3" x .125 Wall 4" x 4" x .125 Wall
Horizontal Rails Side Walls Top Walls	1 ⁵ / ₈ " x 1 ⁵ / ₈ " .100" .070"
Pickets Picket Spacing	1" x 1" x .062 Wall 1 ¹ / ₂ "
Heights Available	3, 4, 5, 6, 7, 8, 9, & 10 Ft.
Widths Available	6 & 8 Ft.



INTEGRITY™

ALUMINUM PRODUCTS

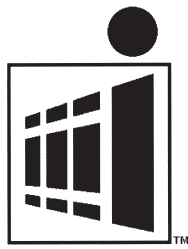
800.762.8876



BOCA GRANDE™ ULTIMATE EXTREME

DIMENSIONS					
HT	A	B	C	D	E
3'	3"	26"	7"	Per Local Code	
4'	3"	38"	7"	Per Local Code	
5'	3"	50"	7"	Per Local Code	
6'	3"	62"	7"	Per Local Code	
All Dimensions Are Nominal					

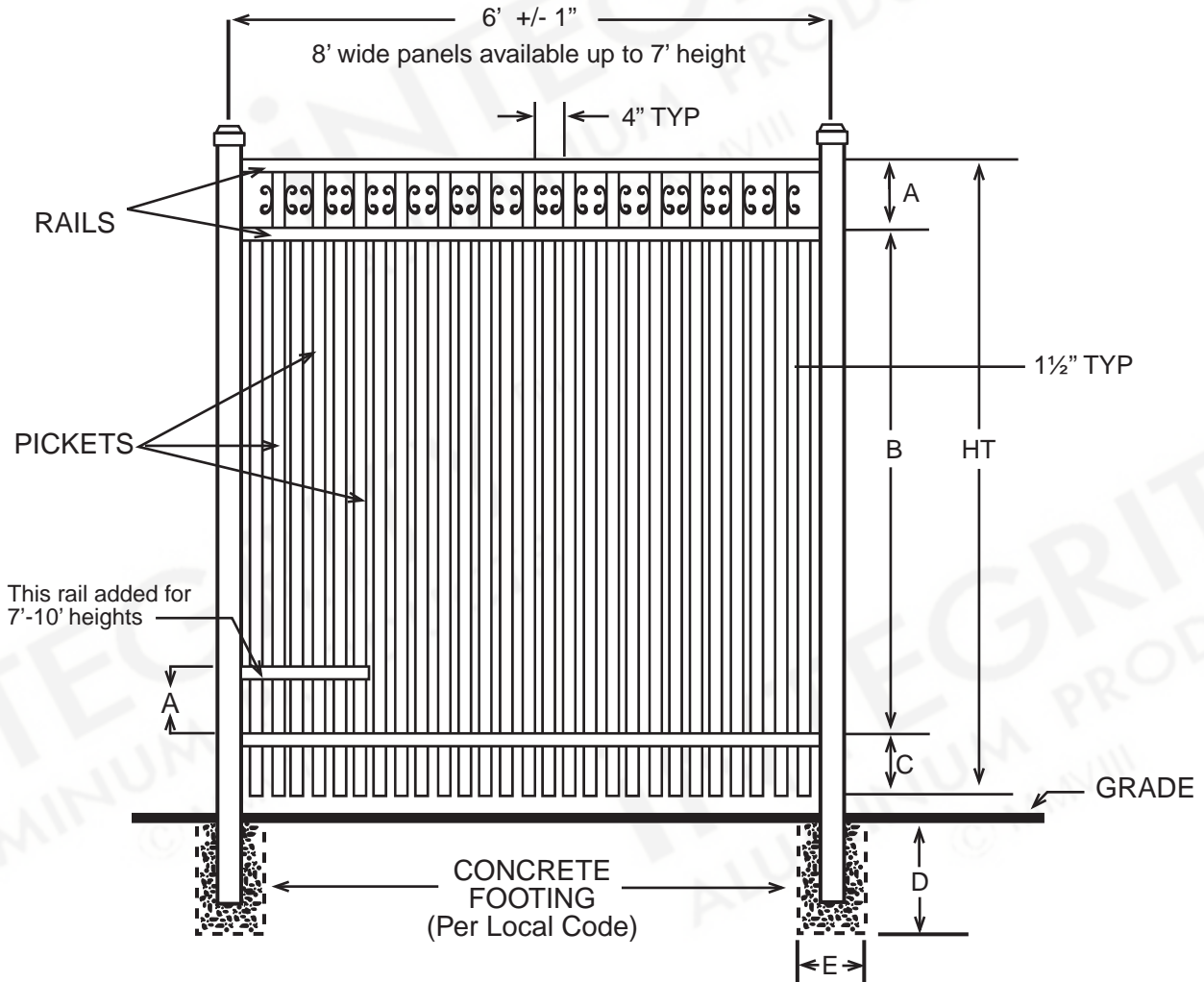
SPECIFICATIONS COMMERCIAL ULTIMATE	
Posts Available	2½" x 2½" x .100 Wall 3" x 3" x .125 Wall 4" x 4" x .125 Wall
Horizontal Rails Side Walls Top Walls	1⅝" x 1⅝" .100" .070"
Pickets Picket Spacing	1" x 1" x .062 Wall 1½"
Heights Available	3, 4, 5 & 6 Ft.
Widths Available	6 & 8 Ft.



INTEGRITY™

ALUMINUM PRODUCTS

800.762.8876



CAMARILLO™ ULTIMATE EXTREME

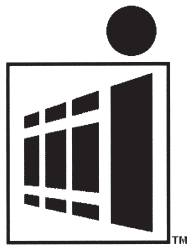
DIMENSIONS

HT	A	B	C	D	E
3'	7 ⁵ / ₈ "	20 ³ / ₄ "	7 ⁵ / ₈ "	Per Local Code	
4'	7 ⁵ / ₈ "	32 ³ / ₄ "	7 ⁵ / ₈ "	Per Local Code	
5'	7 ⁵ / ₈ "	44 ³ / ₄ "	7 ⁵ / ₈ "	Per Local Code	
6'	7 ⁵ / ₈ "	56 ³ / ₄ "	7 ⁵ / ₈ "	Per Local Code	
7'	10 ⁵ / ₈ "	62 ³ / ₄ "	10 ⁵ / ₈ "	Per Local Code	
8'	10 ⁵ / ₈ "	74 ³ / ₄ "	10 ⁵ / ₈ "	Per Local Code	
9'	13 ⁵ / ₈ "	80 ³ / ₄ "	13 ⁵ / ₈ "	Per Local Code	
10'	13 ⁵ / ₈ "	92 ³ / ₄ "	13 ⁵ / ₈ "	Per Local Code	

All Dimensions Are Nominal

SPECIFICATIONS COMMERCIAL ULTIMATE

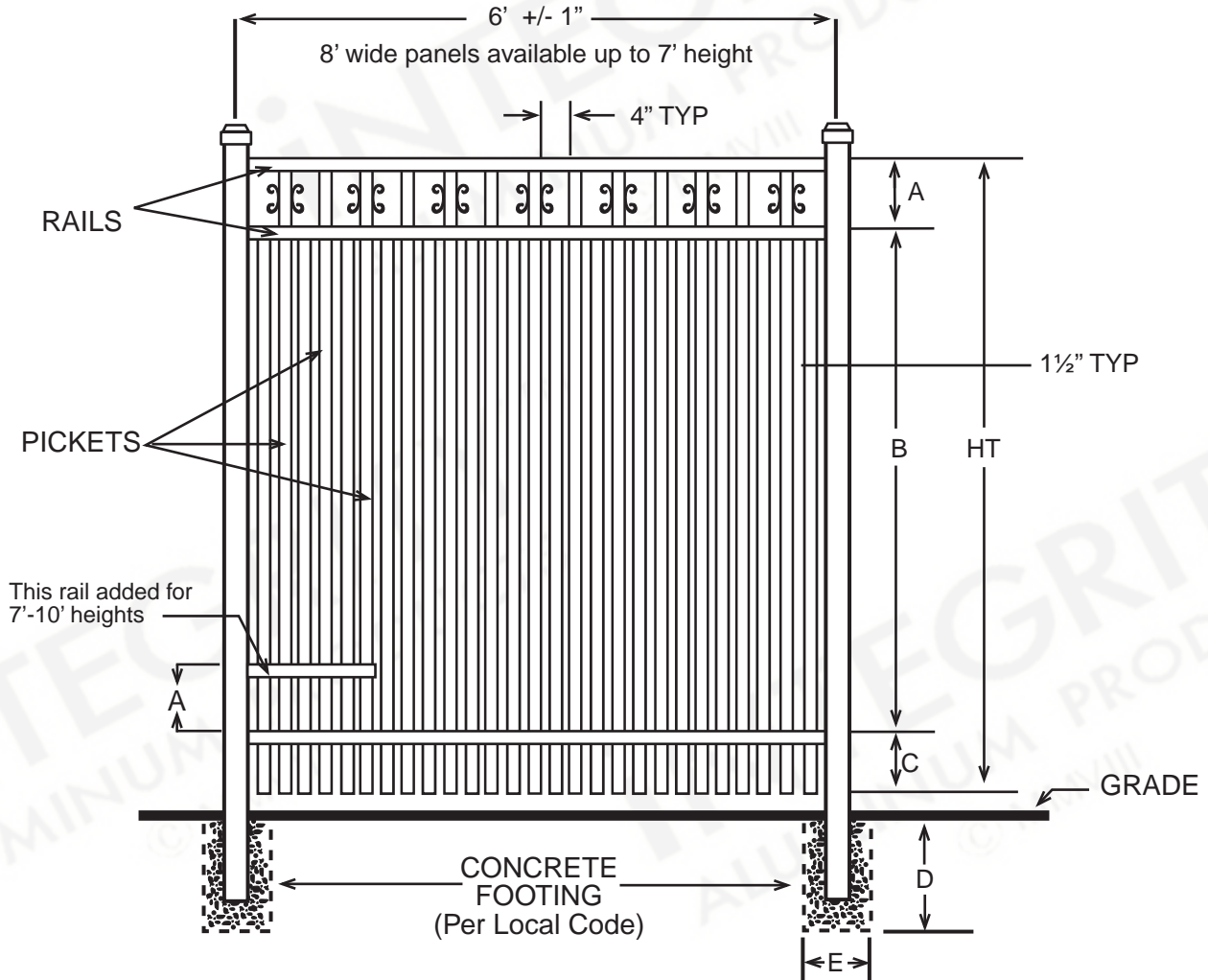
Posts Available	2 1/2" x 2 1/2" x .100 Wall 3" x 3" x .125 Wall 4" x 4" x .125 Wall
Horizontal Rails Side Walls Top Walls	1 5/8" x 1 5/8" .100" .070"
Pickets Picket Spacing	1" x 1" x .062 Wall 1 1/2"
Heights Available	3, 4, 5, 6, 7, 8, 9, & 10 Ft.
Widths Available	6 & 8 Ft.



INTEGRITY™

ALUMINUM PRODUCTS

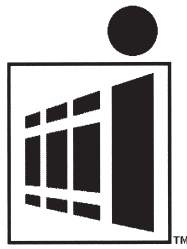
800.762.8876



CAMARILLO LIGHT™ ULTIMATE EXTREME

DIMENSIONS					
HT	A	B	C	D	E
3'	7 ⁵ / ₈ "	20 ³ / ₄ "	7 ⁵ / ₈ "	Per Local Code	
4'	7 ⁵ / ₈ "	32 ³ / ₄ "	7 ⁵ / ₈ "	Per Local Code	
5'	7 ⁵ / ₈ "	44 ³ / ₄ "	7 ⁵ / ₈ "	Per Local Code	
6'	7 ⁵ / ₈ "	56 ³ / ₄ "	7 ⁵ / ₈ "	Per Local Code	
7'	10 ⁵ / ₈ "	62 ³ / ₄ "	10 ⁵ / ₈ "	Per Local Code	
8'	10 ⁵ / ₈ "	74 ³ / ₄ "	10 ⁵ / ₈ "	Per Local Code	
9'	13 ⁵ / ₈ "	80 ³ / ₄ "	13 ⁵ / ₈ "	Per Local Code	
10'	13 ⁵ / ₈ "	92 ³ / ₄ "	13 ⁵ / ₈ "	Per Local Code	
All Dimensions Are Nominal					

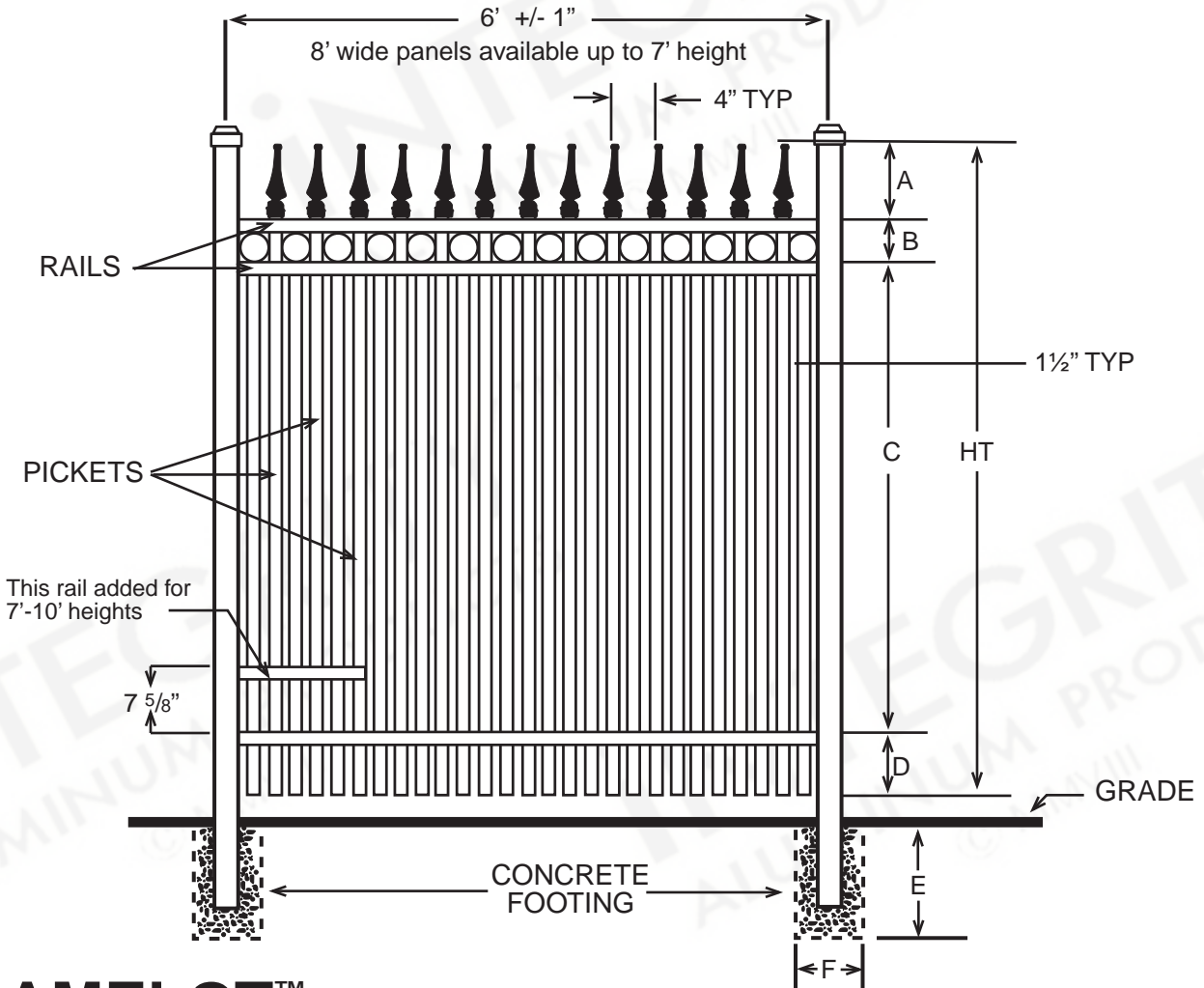
SPECIFICATIONS COMMERCIAL ULTIMATE	
Posts Available	2 ¹ / ₂ " x 2 ¹ / ₂ " x .100 Wall 3" x 3" x .125 Wall 4" x 4" x .125 Wall
Horizontal Rails Side Walls Top Walls	1 ⁵ / ₈ " x 1 ⁵ / ₈ " .100" .070"
Pickets Picket Spacing	1" x 1" x .062 Wall 1 ¹ / ₂ "
Heights Available	3, 4, 5, 6, 7, 8, 9, & 10 Ft.
Widths Available	6 & 8 Ft.



INTEGRITY™

ALUMINUM PRODUCTS

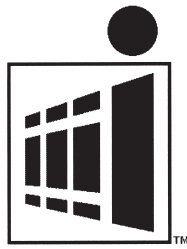
800.762.8876



CAMELOT™ ULTIMATE EXTREME

DIMENSIONS						
HT	A	B	C	D	E	F
3'	6 ⁵ / ₈ "	5 ⁵ / ₈ "	16 ³ / ₄ "	7"	Per Local Code	
4'	6 ⁵ / ₈ "	5 ⁵ / ₈ "	28 ³ / ₄ "	7"	Per Local Code	
5'	6 ⁵ / ₈ "	5 ⁵ / ₈ "	40 ³ / ₄ "	7"	Per Local Code	
6'	6 ⁵ / ₈ "	5 ⁵ / ₈ "	52 ³ / ₄ "	7"	Per Local Code	
7'	9 ⁵ / ₈ "	5 ⁵ / ₈ "	58 ³ / ₄ "	10"	Per Local Code	
8'	9 ⁵ / ₈ "	5 ⁵ / ₈ "	70 ³ / ₄ "	10"	Per Local Code	
9'	12 ⁵ / ₈ "	5 ⁵ / ₈ "	76 ³ / ₄ "	13"	Per Local Code	
10'	12 ⁵ / ₈ "	5 ⁵ / ₈ "	88 ³ / ₄ "	13"	Per Local Code	
All Dimensions Are Nominal						

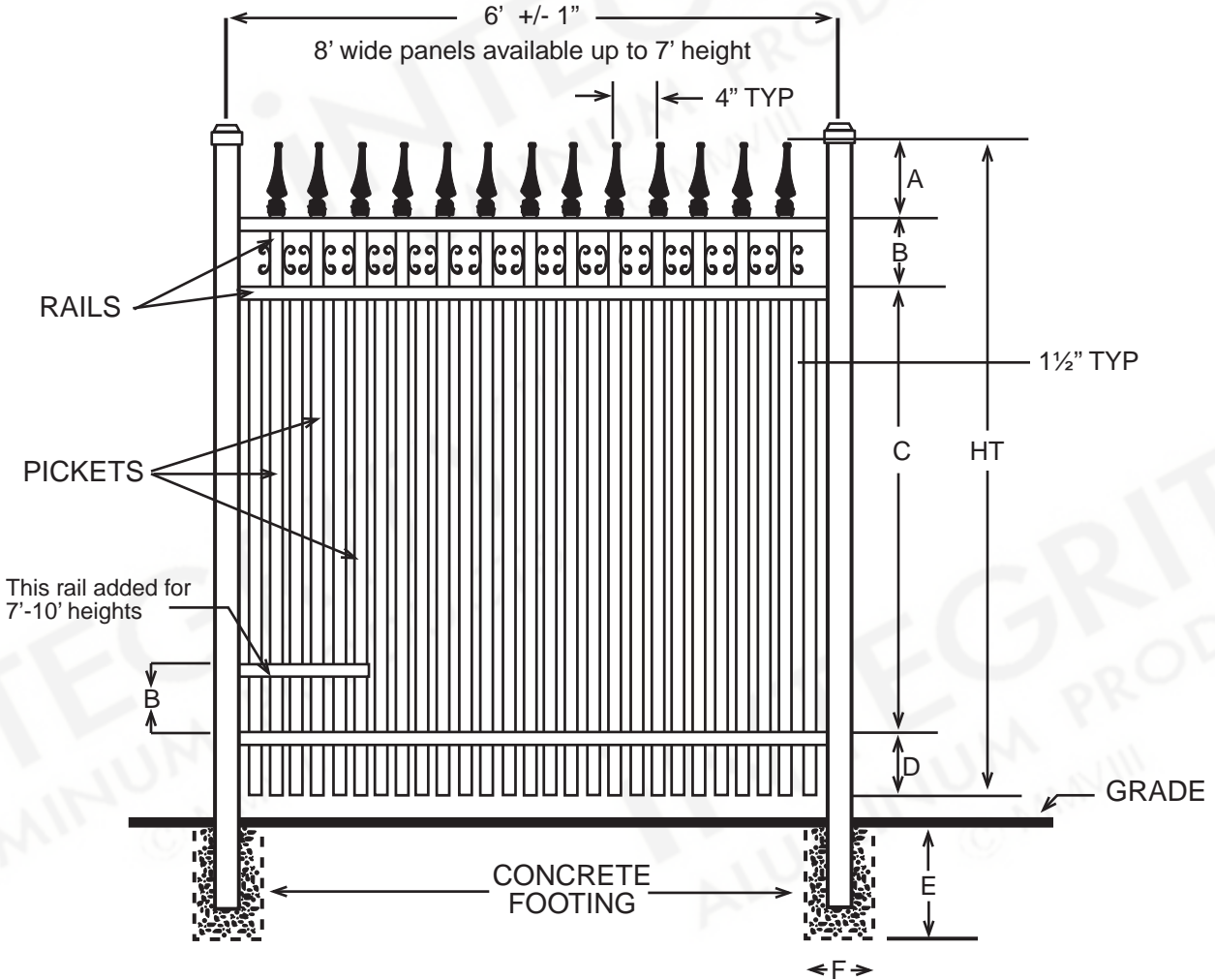
SPECIFICATIONS COMMERCIAL ULTIMATE	
Posts Available	2 ¹ / ₂ " x 2 ¹ / ₂ " x .100 Wall 3" x 3" x .125 Wall 4" x 4" x .125 Wall
Horizontal Rails Side Walls Top Walls	1 ⁵ / ₈ " x 1 ⁵ / ₈ " .100" .070"
Pickets Picket Spacing	1" x 1" x .062 Wall 1 ¹ / ₂ "
Heights Available	3, 4, 5, 6, 7, 8, 9, & 10 Ft.
Widths Available	6 & 8 Ft.



INTEGRITY™

ALUMINUM PRODUCTS

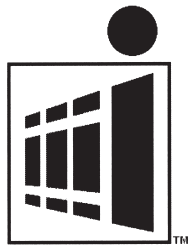
800.762.8876



CASTILE™ ULTIMATE EXTREME

DIMENSIONS						
HT	A	B	C	D	E	F
3'	6 ⁵ / ₈ "	7 ⁵ / ₈ "	14 ³ / ₄ "	7"	Per Local Code	
4'	6 ⁵ / ₈ "	7 ⁵ / ₈ "	26 ³ / ₄ "	7"	Per Local Code	
5'	6 ⁵ / ₈ "	7 ⁵ / ₈ "	38 ³ / ₄ "	7"	Per Local Code	
6'	6 ⁵ / ₈ "	7 ⁵ / ₈ "	50 ³ / ₄ "	7"	Per Local Code	
7'	9 ⁵ / ₈ "	10 ⁵ / ₈ "	53 ³ / ₄ "	10"	Per Local Code	
8'	9 ⁵ / ₈ "	10 ⁵ / ₈ "	65 ³ / ₄ "	10"	Per Local Code	
9'	12 ⁵ / ₈ "	13 ⁵ / ₈ "	68 ³ / ₄ "	13"	Per Local Code	
10'	12 ⁵ / ₈ "	13 ⁵ / ₈ "	80 ³ / ₄ "	13"	Per Local Code	
All Dimensions Are Nominal						

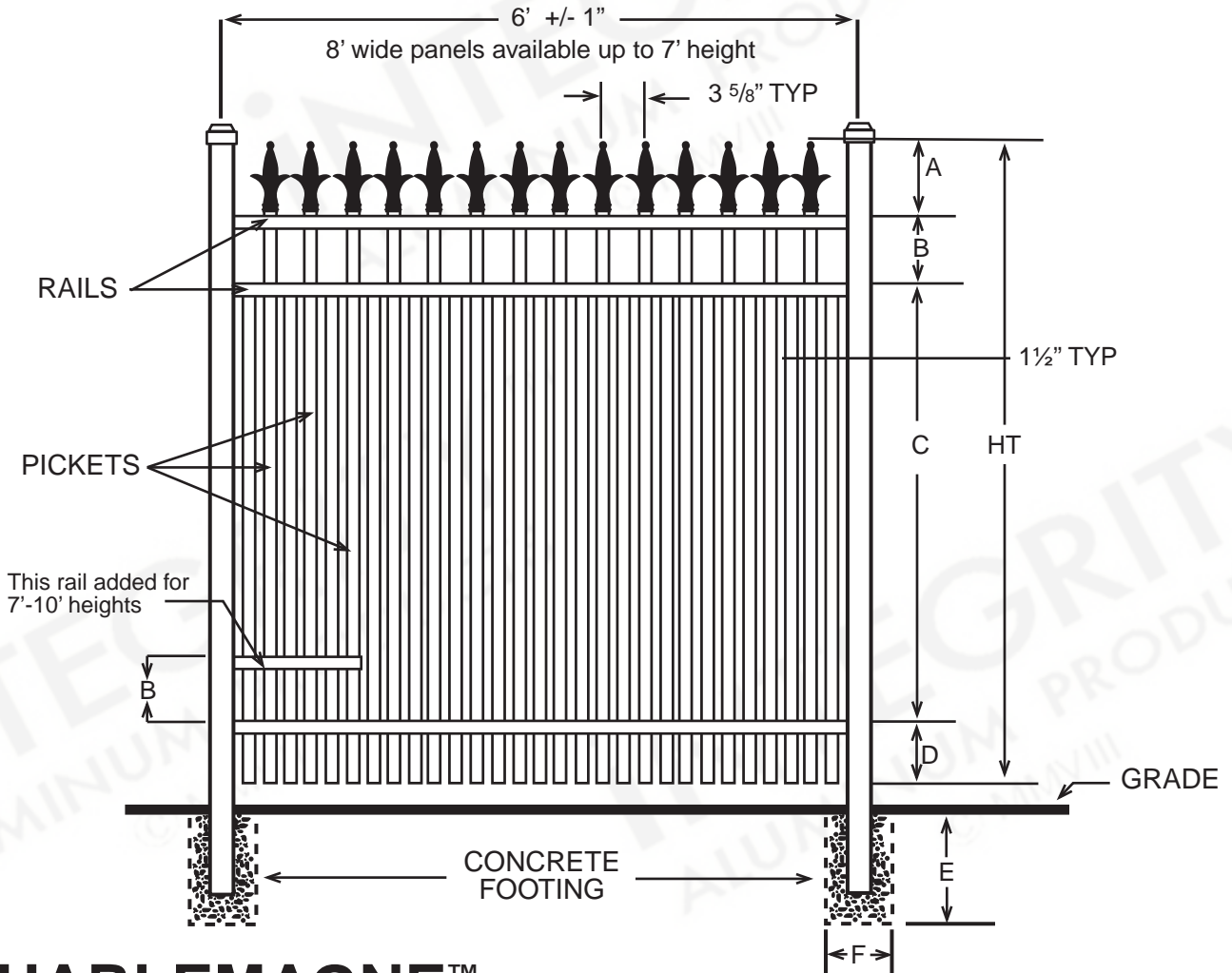
SPECIFICATIONS COMMERCIAL ULTIMATE	
Posts Available	2 ¹ / ₂ " x 2 ¹ / ₂ " x .100 Wall 3" x 3" x .125 Wall 4" x 4" x .125 Wall
Horizontal Rails Side Walls Top Walls	1 ⁵ / ₈ " x 1 ⁵ / ₈ " .100" .070"
Pickets Picket Spacing	1" x 1" x .062 Wall 1 ¹ / ₂ "
Heights Available	3, 4, 5, 6, 7, 8, 9, & 10 Ft.
Widths Available	6 & 8 Ft.



INTEGRITY™

ALUMINUM PRODUCTS

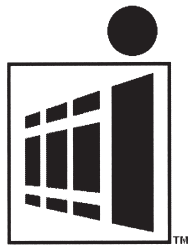
800.762.8876



CHARLEMAGNE™ ULTIMATE EXTREME

DIMENSIONS						
HT	A	B	C	D	E	F
3'	6 ⁵ / ₈ "	7 ⁵ / ₈ "	14 ³ / ₄ "	7"	Per Local Code	
4'	6 ⁵ / ₈ "	7 ⁵ / ₈ "	26 ³ / ₄ "	7"	Per Local Code	
5'	6 ⁵ / ₈ "	7 ⁵ / ₈ "	38 ³ / ₄ "	7"	Per Local Code	
6'	6 ⁵ / ₈ "	7 ⁵ / ₈ "	50 ³ / ₄ "	7"	Per Local Code	
7'	9 ⁵ / ₈ "	10 ⁵ / ₈ "	53 ³ / ₄ "	10"	Per Local Code	
8'	9 ⁵ / ₈ "	10 ⁵ / ₈ "	65 ³ / ₄ "	10"	Per Local Code	
9'	12 ⁵ / ₈ "	13 ⁵ / ₈ "	68 ³ / ₄ "	13"	Per Local Code	
10'	12 ⁵ / ₈ "	13 ⁵ / ₈ "	80 ³ / ₄ "	13"	Per Local Code	
All Dimensions Are Nominal						

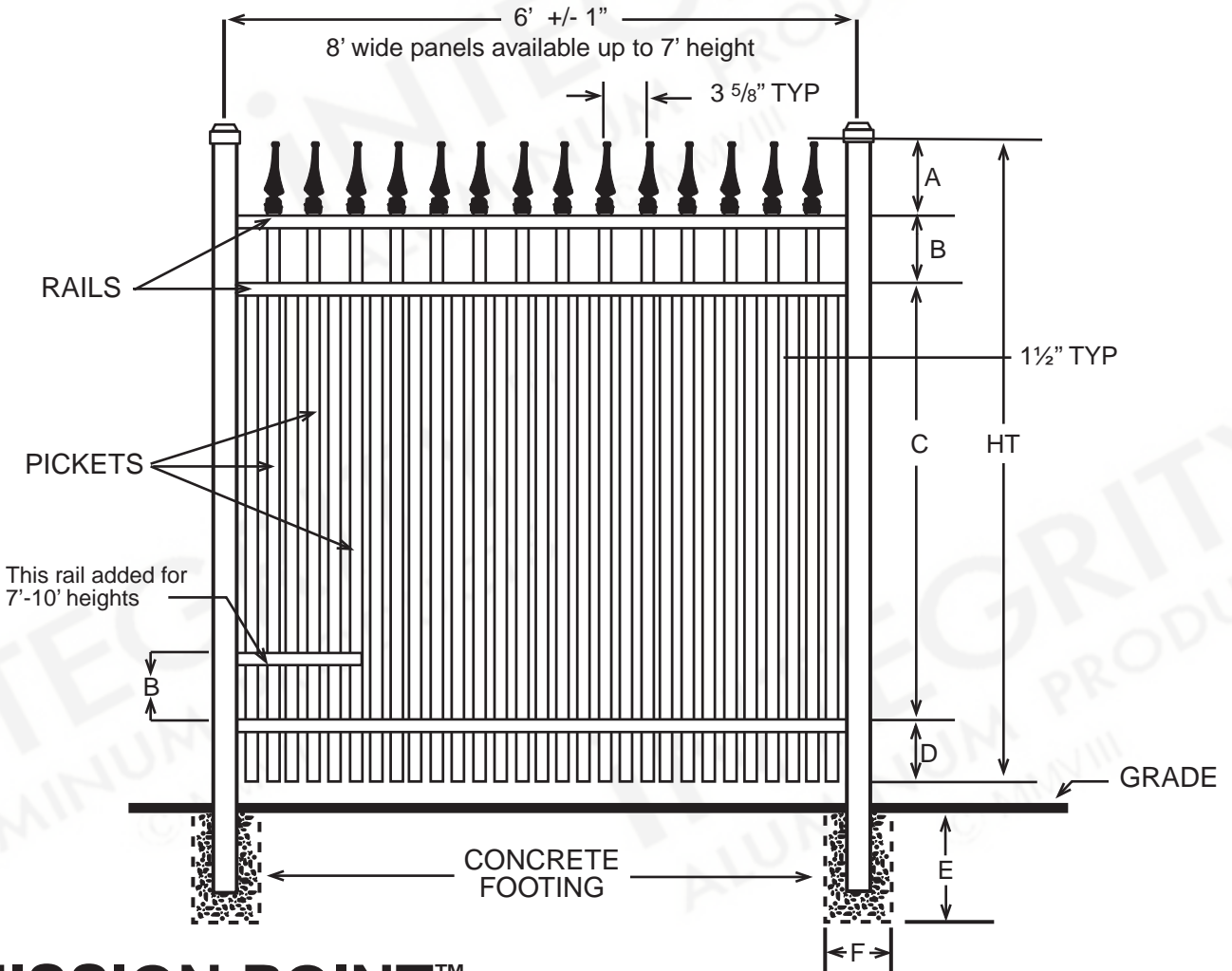
SPECIFICATIONS COMMERCIAL ULTIMATE	
Posts Available	2 ¹ / ₂ " x 2 ¹ / ₂ " x .100 Wall 3" x 3" x .125 Wall 4" x 4" x .125 Wall
Horizontal Rails Side Walls Top Walls	1 ⁵ / ₈ " x 1 ⁵ / ₈ " .100" .070"
Pickets Picket Spacing	1" x 1" x .062 Wall 1 ¹ / ₂ "
Heights Available	3, 4, 5, 6, 7, 8, 9, & 10 Ft.
Widths Available	6 & 8 Ft.



INTEGRITY™

ALUMINUM PRODUCTS

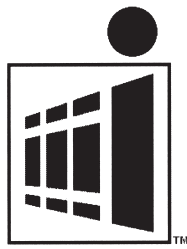
800.762.8876



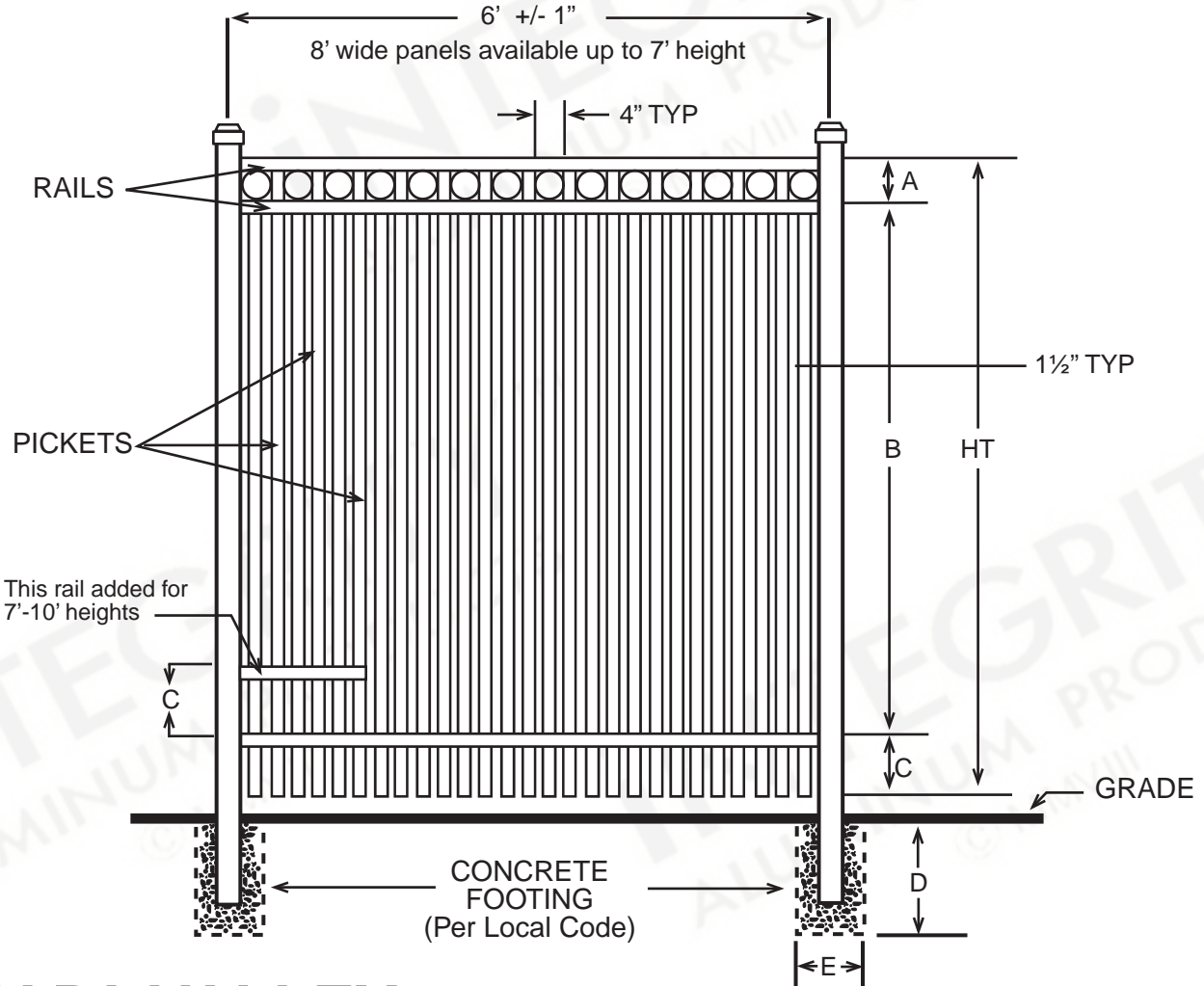
MISSION POINT™ ULTIMATE EXTREME

DIMENSIONS						
HT	A	B	C	D	E	F
3'	6 ⁵ / ₈ "	7 ⁵ / ₈ "	14 ³ / ₄ "	7"	Per Local Code	
4'	6 ⁵ / ₈ "	7 ⁵ / ₈ "	26 ³ / ₄ "	7"	Per Local Code	
5'	6 ⁵ / ₈ "	7 ⁵ / ₈ "	38 ³ / ₄ "	7"	Per Local Code	
6'	6 ⁵ / ₈ "	7 ⁵ / ₈ "	50 ³ / ₄ "	7"	Per Local Code	
7'	9 ⁵ / ₈ "	10 ⁵ / ₈ "	53 ³ / ₄ "	10"	Per Local Code	
8'	9 ⁵ / ₈ "	10 ⁵ / ₈ "	65 ³ / ₄ "	10"	Per Local Code	
9'	12 ⁵ / ₈ "	13 ⁵ / ₈ "	68 ³ / ₄ "	13"	Per Local Code	
10'	12 ⁵ / ₈ "	13 ⁵ / ₈ "	80 ³ / ₄ "	13"	Per Local Code	
All Dimensions Are Nominal						

SPECIFICATIONS COMMERCIAL ULTIMATE	
Posts Available	2 ¹ / ₂ " x 2 ¹ / ₂ " x .100 Wall 3" x 3" x .125 Wall 4" x 4" x .125 Wall
Horizontal Rails Side Walls Top Walls	1 ⁵ / ₈ " x 1 ⁵ / ₈ " .100" .070"
Pickets Picket Spacing	1" x 1" x .062 Wall 1 ¹ / ₂ "
Heights Available	3, 4, 5, 6, 7, 8, 9, & 10 Ft.
Widths Available	6 & 8 Ft.



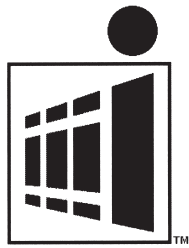
iNTEGRITY™
 ALUMINUM PRODUCTS
 800.762.8876



NAPA VALLEY™ ULTIMATE EXTREME

DIMENSIONS					
HT	A	B	C	D	E
3'	5 ⁵ / ₈ "	22 ³ / ₄ "	7 ⁵ / ₈ "	Per Local Code	
4'	5 ⁵ / ₈ "	34 ³ / ₄ "	7 ⁵ / ₈ "	Per Local Code	
5'	5 ⁵ / ₈ "	46 ³ / ₄ "	7 ⁵ / ₈ "	Per Local Code	
6'	5 ⁵ / ₈ "	58 ³ / ₄ "	7 ⁵ / ₈ "	Per Local Code	
7'	5 ⁵ / ₈ "	67 ³ / ₄ "	10 ⁵ / ₈ "	Per Local Code	
8'	5 ⁵ / ₈ "	79 ³ / ₄ "	10 ⁵ / ₈ "	Per Local Code	
9'	5 ⁵ / ₈ "	88 ³ / ₄ "	13 ⁵ / ₈ "	Per Local Code	
10'	5 ⁵ / ₈ "	100 ³ / ₄ "	13 ⁵ / ₈ "	Per Local Code	
All Dimensions Are Nominal					

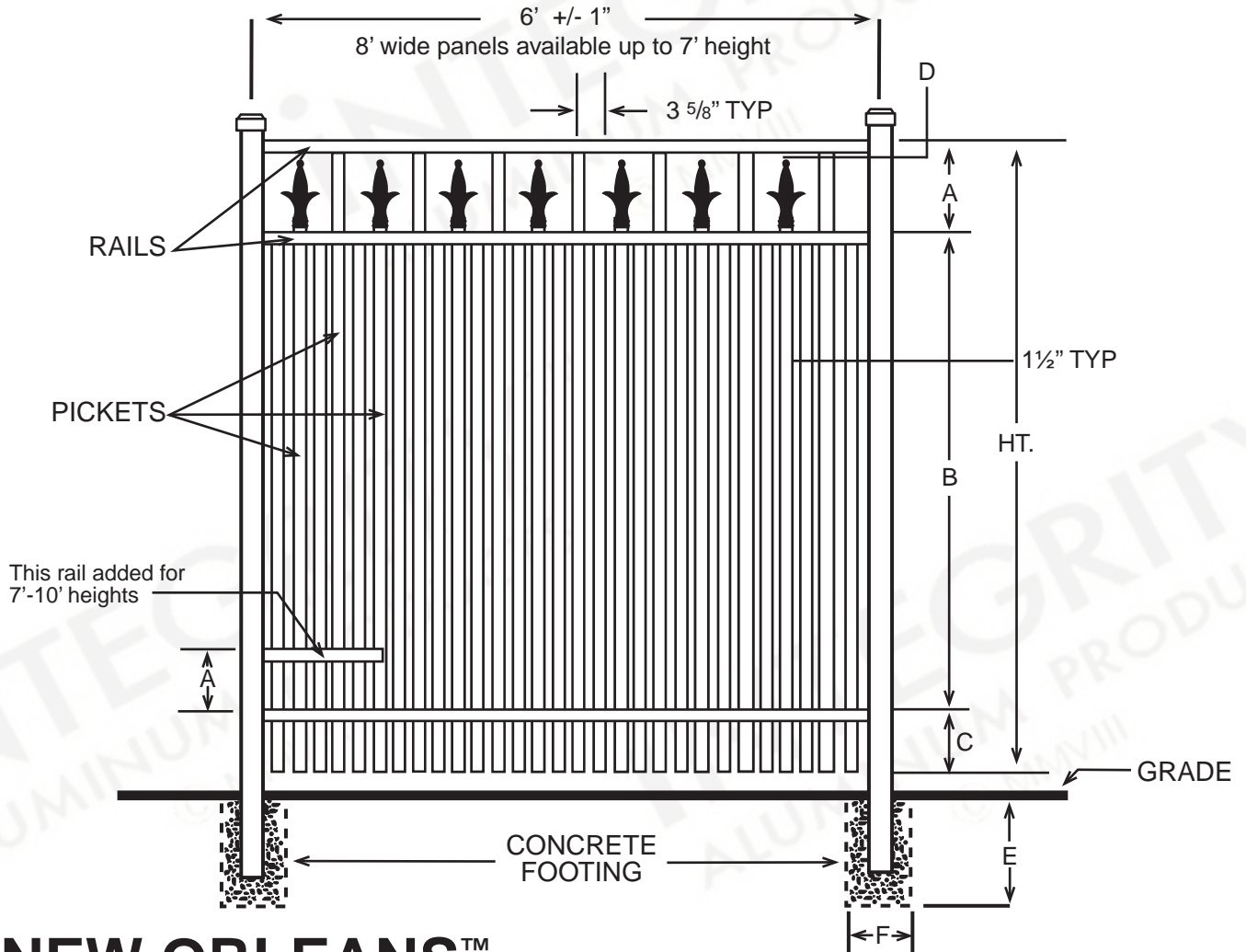
SPECIFICATIONS COMMERCIAL ULTIMATE	
Posts Available	2 1/2" x 2 1/2" x .100 Wall 3" x 3" x .125 Wall 4" x 4" x .125 Wall
Horizontal Rails Side Walls Top Walls	1 5/8" x 1 5/8" .100" .070"
Pickets Picket Spacing	1" x 1" x .062 Wall 1 1/2"
Heights Available	3, 4, 5, 6, 7, 8, 9, & 10 Ft.
Widths Available	6 & 8 Ft.



INTEGRITY™

ALUMINUM PRODUCTS

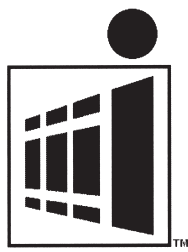
800.762.8876



NEW ORLEANS™ ULTIMATE EXTREME

DIMENSIONS						
HT	A	B	C	D	E	F
3'	7 ⁵ / ₈ "	20 ³ / ₄ "	7 ⁵ / ₈ "	3 ¹ / ₈ "	Per Local Code	
4'	7 ⁵ / ₈ "	32 ³ / ₄ "	7 ⁵ / ₈ "	3 ¹ / ₈ "	Per Local Code	
5'	7 ⁵ / ₈ "	44 ³ / ₄ "	7 ⁵ / ₈ "	3 ¹ / ₈ "	Per Local Code	
6'	7 ⁵ / ₈ "	56 ³ / ₄ "	7 ⁵ / ₈ "	3 ¹ / ₈ "	Per Local Code	
7'	10 ⁵ / ₈ "	62 ³ / ₄ "	10 ⁵ / ₈ "	4 ¹ / ₈ "	Per Local Code	
8'	10 ⁵ / ₈ "	74 ³ / ₄ "	10 ⁵ / ₈ "	4 ¹ / ₈ "	Per Local Code	
9'	13 ⁵ / ₈ "	80 ³ / ₄ "	13 ⁵ / ₈ "	4 ⁵ / ₈ "	Per Local Code	
10'	13 ⁵ / ₈ "	92 ³ / ₄ "	13 ⁵ / ₈ "	4 ⁵ / ₈ "	Per Local Code	
All Dimensions Are Nominal						

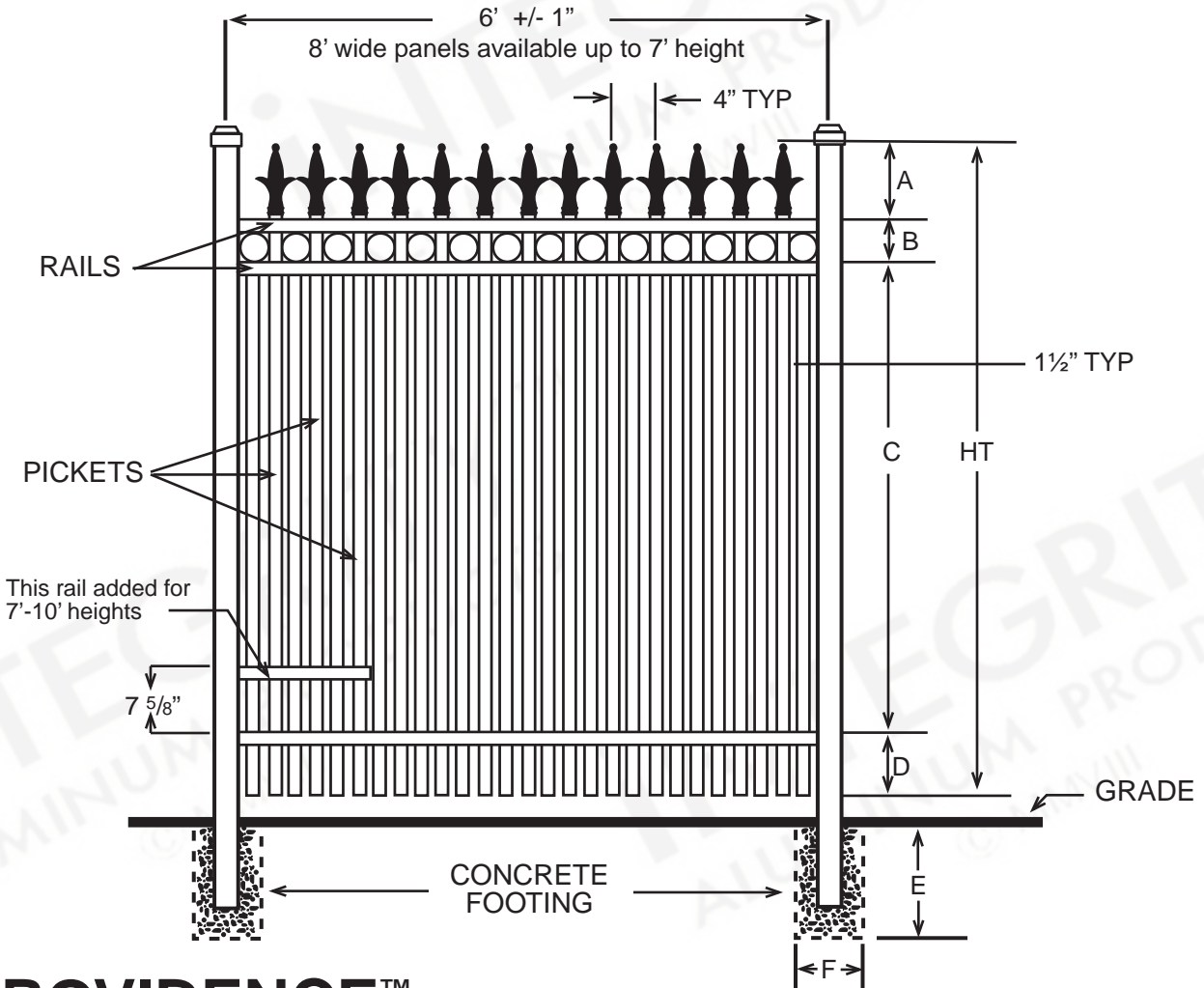
SPECIFICATIONS COMMERCIAL ULTIMATE	
Posts Available	2 ¹ / ₂ " x 2 ¹ / ₂ " x .100 Wall 3" x 3" x .125 Wall 4" x 4" x .125 Wall
Horizontal Rails Side Walls Top Walls	1 ⁵ / ₈ " x 1 ⁵ / ₈ " .100" .070"
Pickets Picket Spacing	1" x 1" x .062 Wall 1 ¹ / ₂ "
Heights Available	3, 4, 5, 6, 7, 8, 9, & 10 Ft.
Widths Available	6 & 8 Ft.



INTEGRITY™

ALUMINUM PRODUCTS

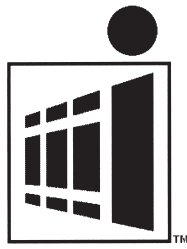
800.762.8876



PROVIDENCE™ ULTIMATE EXTREME

DIMENSIONS						
HT	A	B	C	D	E	F
3'	6 ⁵ / ₈ "	5 ⁵ / ₈ "	16 ³ / ₄ "	7"	Per Local Code	
4'	6 ⁵ / ₈ "	5 ⁵ / ₈ "	28 ³ / ₄ "	7"	Per Local Code	
5'	6 ⁵ / ₈ "	5 ⁵ / ₈ "	40 ³ / ₄ "	7"	Per Local Code	
6'	6 ⁵ / ₈ "	5 ⁵ / ₈ "	52 ³ / ₄ "	7"	Per Local Code	
7'	9 ⁵ / ₈ "	5 ⁵ / ₈ "	58 ³ / ₄ "	10"	Per Local Code	
8'	9 ⁵ / ₈ "	5 ⁵ / ₈ "	70 ³ / ₄ "	10"	Per Local Code	
9'	12 ⁵ / ₈ "	5 ⁵ / ₈ "	76 ³ / ₄ "	13"	Per Local Code	
10'	12 ⁵ / ₈ "	5 ⁵ / ₈ "	88 ³ / ₄ "	13"	Per Local Code	
All Dimensions Are Nominal						

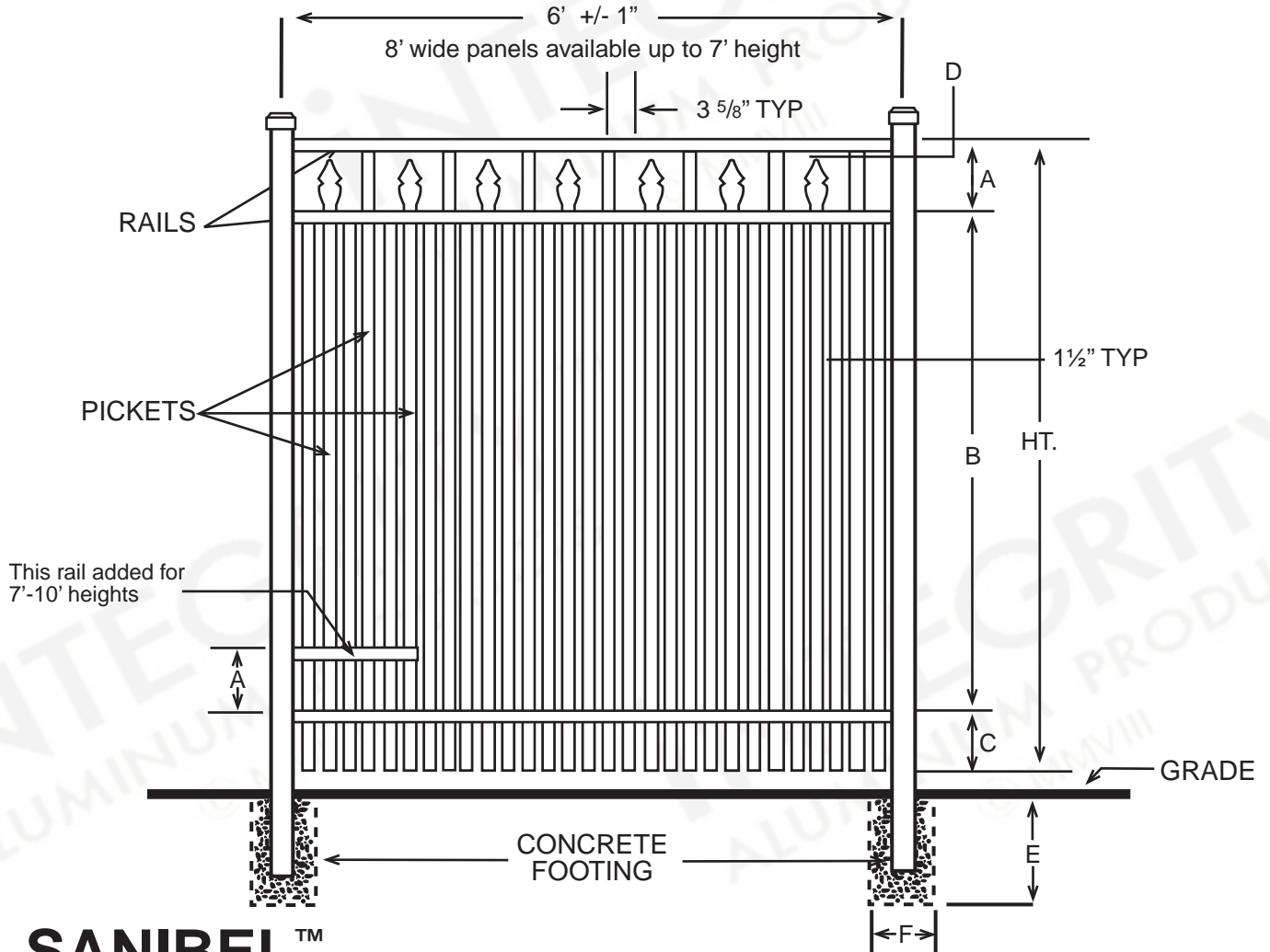
SPECIFICATIONS COMMERCIAL ULTIMATE	
Posts Available	2 ¹ / ₂ " x 2 ¹ / ₂ " x .100 Wall 3" x 3" x .125 Wall 4" x 4" x .125 Wall
Horizontal Rails Side Walls Top Walls	1 ⁵ / ₈ " x 1 ⁵ / ₈ " .100" .070"
Pickets Picket Spacing	1" x 1" x .062 Wall 1 ¹ / ₂ "
Heights Available	3, 4, 5, 6, 7, 8, 9, & 10 Ft.
Widths Available	6 & 8 Ft.



INTEGRITY™

ALUMINUM PRODUCTS

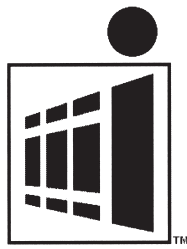
800.762.8876



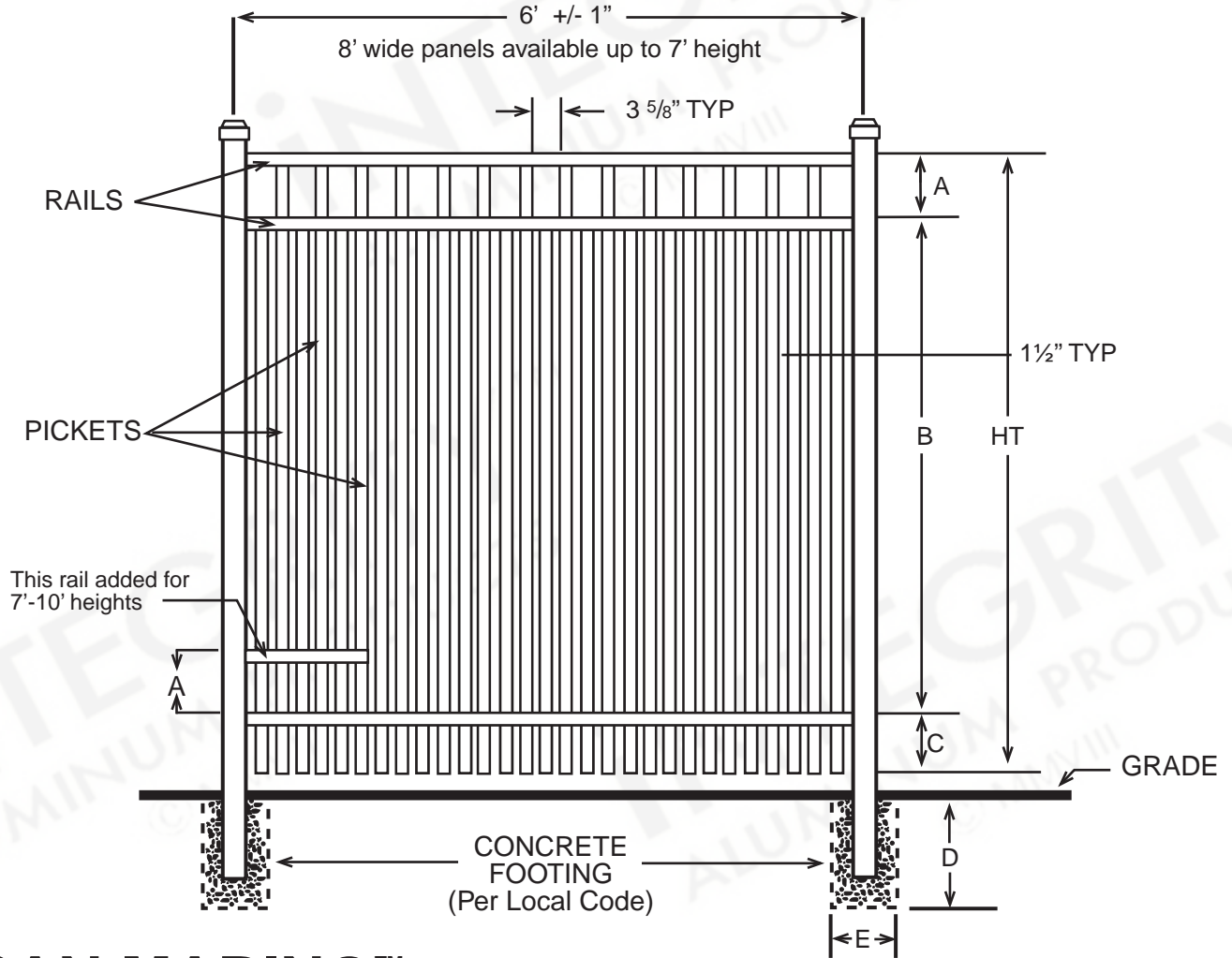
SANIBEL™ ULTIMATE EXTREME

DIMENSIONS						
HT	A	B	C	D	E	F
3'	7 ⁵ / ₈ "	20 ³ / ₄ "	7 ⁵ / ₈ "	3 ¹ / ₈ "	Per Local Code	
4'	7 ⁵ / ₈ "	32 ³ / ₄ "	7 ⁵ / ₈ "	3 ¹ / ₈ "	Per Local Code	
5'	7 ⁵ / ₈ "	44 ³ / ₄ "	7 ⁵ / ₈ "	3 ¹ / ₈ "	Per Local Code	
6'	7 ⁵ / ₈ "	56 ³ / ₄ "	7 ⁵ / ₈ "	3 ¹ / ₈ "	Per Local Code	
7'	10 ⁵ / ₈ "	62 ³ / ₄ "	10 ⁵ / ₈ "	4 ¹ / ₈ "	Per Local Code	
8'	10 ⁵ / ₈ "	74 ³ / ₄ "	10 ⁵ / ₈ "	4 ¹ / ₈ "	Per Local Code	
9'	13 ⁵ / ₈ "	80 ³ / ₄ "	13 ⁵ / ₈ "	4 ⁵ / ₈ "	Per Local Code	
10'	13 ⁵ / ₈ "	92 ³ / ₄ "	13 ⁵ / ₈ "	4 ⁵ / ₈ "	Per Local Code	
All Dimensions Are Nominal						

SPECIFICATIONS COMMERCIAL ULTIMATE	
Posts Available	2 ¹ / ₂ " x 2 ¹ / ₂ " x .100 Wall 3" x 3" x .125 Wall 4" x 4" x .125 Wall
Horizontal Rails Side Walls Top Walls	1 ⁵ / ₈ " x 1 ⁵ / ₈ " .100" .070"
Pickets Picket Spacing	1" x 1" x .062 Wall 1 ¹ / ₂ "
Heights Available	3, 4, 5, 6, 7, 8, 9, & 10 Ft.
Widths Available	6 & 8 Ft.



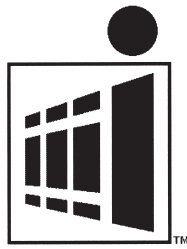
iNTEGRITY™
ALUMINUM PRODUCTS
800.762.8876



SAN MARINO™ ULTIMATE EXTREME

DIMENSIONS					
HT	A	B	C	D	E
3'	7 ⁵ / ₈ "	20 ³ / ₄ "	7 ⁵ / ₈ "	Per Local Code	
4'	7 ⁵ / ₈ "	32 ³ / ₄ "	7 ⁵ / ₈ "	Per Local Code	
5'	7 ⁵ / ₈ "	44 ³ / ₄ "	7 ⁵ / ₈ "	Per Local Code	
6'	7 ⁵ / ₈ "	56 ³ / ₄ "	7 ⁵ / ₈ "	Per Local Code	
7'	10 ⁵ / ₈ "	62 ³ / ₄ "	10 ⁵ / ₈ "	Per Local Code	
8'	10 ⁵ / ₈ "	74 ³ / ₄ "	10 ⁵ / ₈ "	Per Local Code	
9'	13 ⁵ / ₈ "	80 ³ / ₄ "	13 ⁵ / ₈ "	Per Local Code	
10'	13 ⁵ / ₈ "	92 ³ / ₄ "	13 ⁵ / ₈ "	Per Local Code	
All Dimensions Are Nominal					

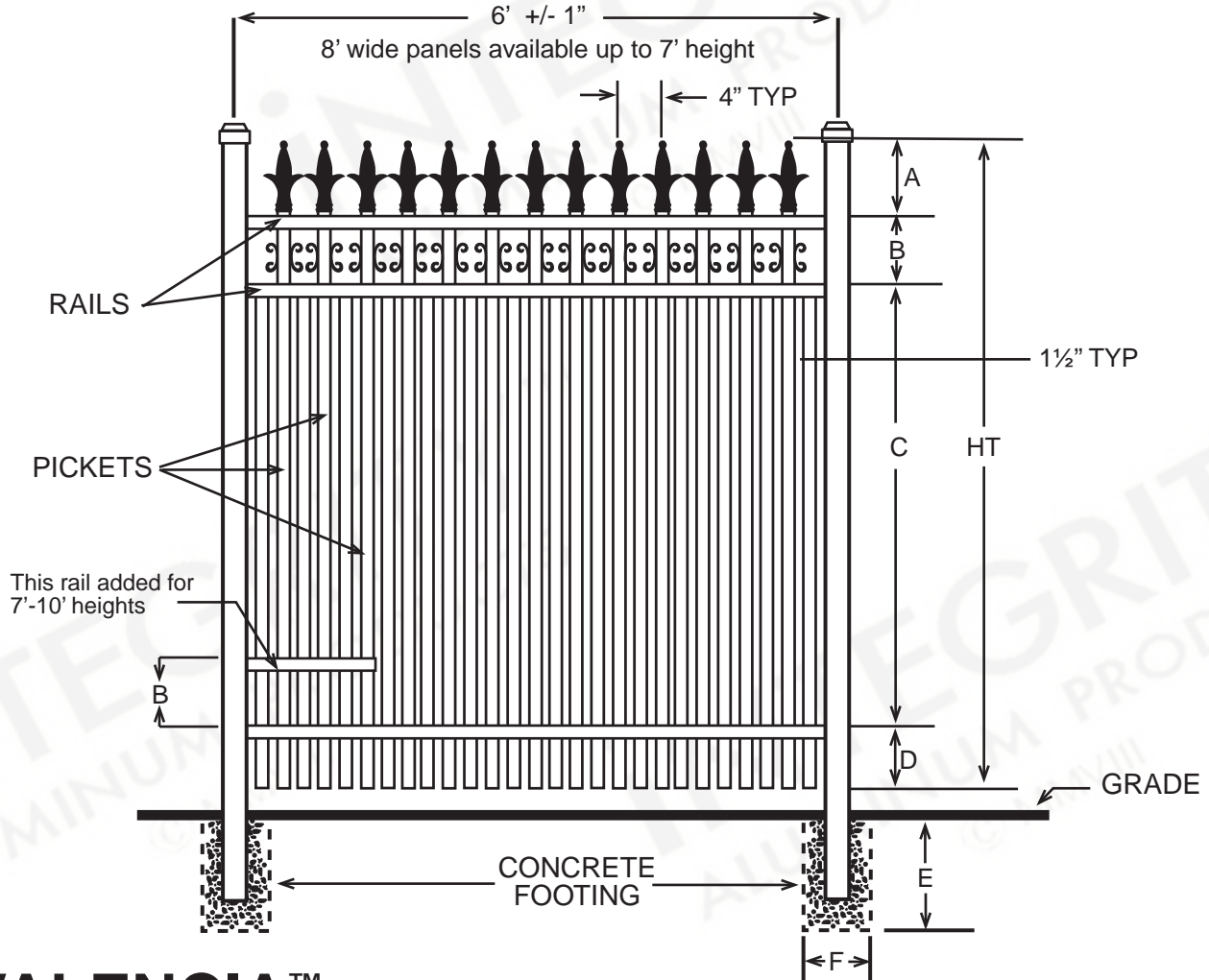
SPECIFICATIONS COMMERCIAL ULTIMATE	
Posts Available	2 ¹ / ₂ " x 2 ¹ / ₂ " x .100 Wall 3" x 3" x .125 Wall 4" x 4" x .125 Wall
Horizontal Rails Side Walls Top Walls	1 ⁵ / ₈ " x 1 ⁵ / ₈ " .100" .070"
Pickets Picket Spacing	1" x 1" x .062 Wall 1 ¹ / ₂ "
Heights Available	3, 4, 5, 6, 7, 8, 9, & 10 Ft.
Widths Available	6 & 8 Ft.



INTEGRITY™

ALUMINUM PRODUCTS

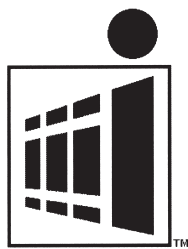
800.762.8876



VALENCIA™ ULTIMATE EXTREME

DIMENSIONS						
HT	A	B	C	D	E	F
3'	6 ⁵ / ₈ "	7 ⁵ / ₈ "	14 ³ / ₄ "	7"	Per Local Code	
4'	6 ⁵ / ₈ "	7 ⁵ / ₈ "	26 ³ / ₄ "	7"	Per Local Code	
5'	6 ⁵ / ₈ "	7 ⁵ / ₈ "	38 ³ / ₄ "	7"	Per Local Code	
6'	6 ⁵ / ₈ "	7 ⁵ / ₈ "	50 ³ / ₄ "	7"	Per Local Code	
7'	9 ⁵ / ₈ "	10 ⁵ / ₈ "	53 ³ / ₄ "	10"	Per Local Code	
8'	9 ⁵ / ₈ "	10 ⁵ / ₈ "	65 ³ / ₄ "	10"	Per Local Code	
9'	12 ⁵ / ₈ "	13 ⁵ / ₈ "	68 ³ / ₄ "	13"	Per Local Code	
10'	12 ⁵ / ₈ "	13 ⁵ / ₈ "	80 ³ / ₄ "	13"	Per Local Code	
All Dimensions Are Nominal						

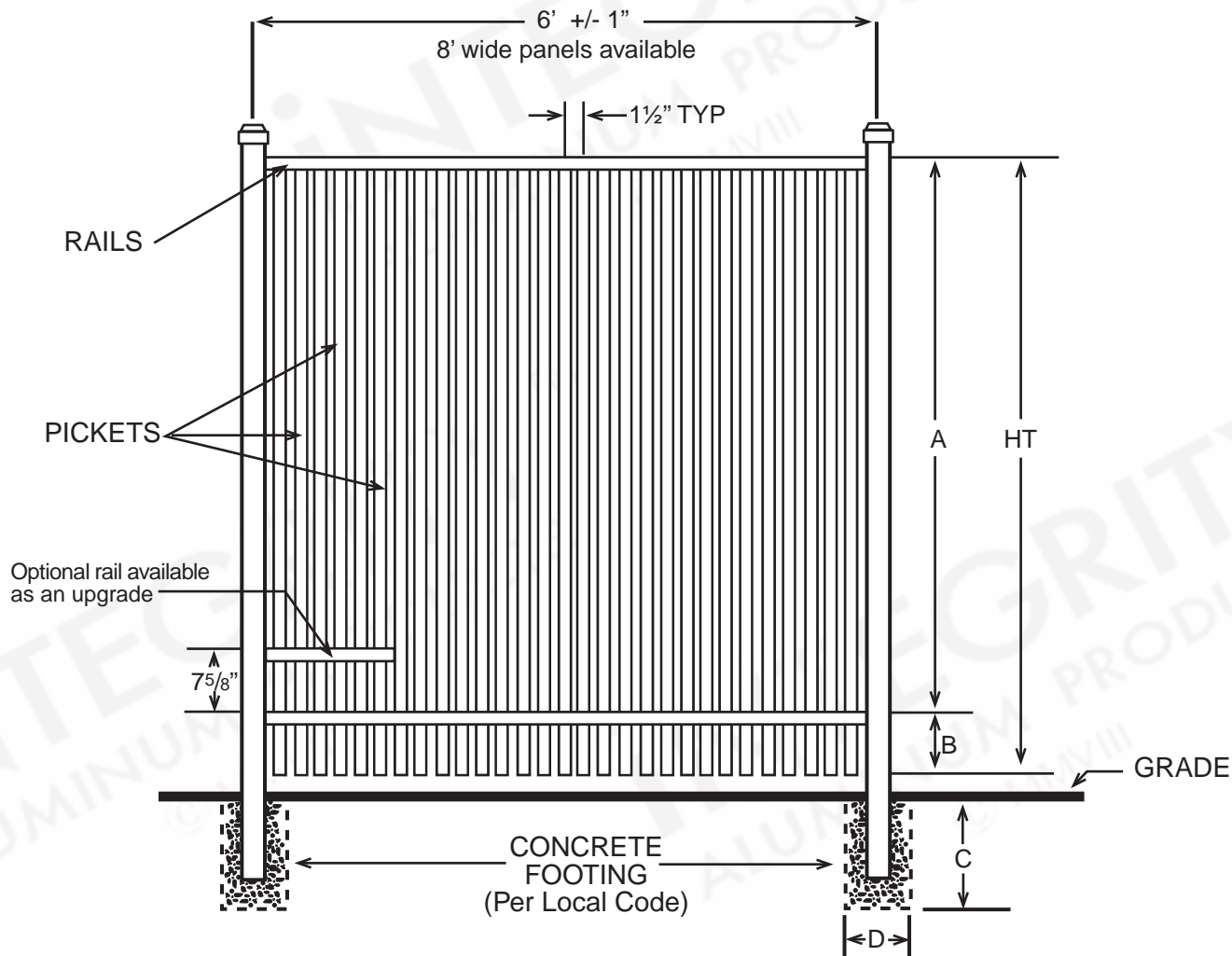
SPECIFICATIONS COMMERCIAL ULTIMATE	
Posts Available	2 ¹ / ₂ " x 2 ¹ / ₂ " x .100 Wall 3" x 3" x .125 Wall 4" x 4" x .125 Wall
Horizontal Rails Side Walls Top Walls	1 ⁵ / ₈ " x 1 ⁵ / ₈ " .100" .070"
Pickets Picket Spacing	1" x 1" x .062 Wall 1 ¹ / ₂ "
Heights Available	3, 4, 5, 6, 7, 8, 9, & 10 Ft.
Widths Available	6 & 8 Ft.



INTEGRITY™

ALUMINUM PRODUCTS

800.762.8876



VENTURA™ ULTIMATE EXTREME

DIMENSIONS				
HT	A	B	C	D
3'	29"	7"	Per Local Code	
4'	41"	7"	Per Local Code	
5'	53"	7"	Per Local Code	
6'	65"	7"	Per Local Code	
All Dimensions Are Nominal				

SPECIFICATIONS COMMERCIAL ULTIMATE	
Posts Available	2 1/2" x 2 1/2" x .100 Wall 3" x 3" x .125 Wall 4" x 4" x .125 Wall
Horizontal Rails Side Walls Top Walls	1 5/8" x 1 5/8" .100" .070"
Pickets Picket Spacing	1" x 1" x .062 Wall 1 1/2"
Heights Available	3, 4, 5 & 6 Ft.
Widths Available	6 & 8 Ft.